

DESIGN TO INNOVATE

Our chains are used
in many areas
due to the wide range
of products and the
possibility to customise
them for your every need

MKTEN000003 - © COPYRIGHT BREVETTI STENDALTO - 2016 - EN



Brevetti Stendalto S.p.A.
20900 Monza
Viale Giovanni Battista Stucchi 66/8
Tel. +39 039 20.49.01
Fax +39 039 83.42.50
E-mail: info@brevettistendalto.it

WWW.BREVETTISTENDALTO.COM



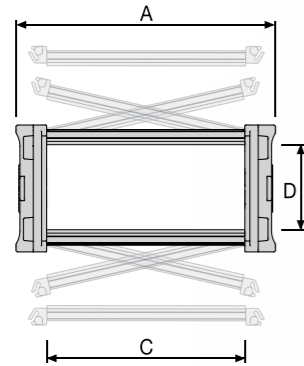
**brevetti
stendalto**

NYLON

Heavy

MADE TO LAST!

Brevetti Stendalto designed and built the new nylon chains "H" series, particularly suitable for use in complex applications such as machine tools, large machining centers, onshore and offshore rigs, cranes, lifting equipment, and other heavy-duty applications. The link is entirely designed by Brevetti Stendalto's R&D department.



TYPE	A		C		D mm	Pitch mm	Radius	
	from mm	to mm	from mm	to mm			from mm	to mm
H45*	113	438	75	400	45	75	75	300
H57	88	400	50	362	57	90	150	400
H80	129	553	74	498	80,5	120	200	600
H110	129	553	74	498	115	160	200	750

*New heavy chain

The reinforced link design allows for a perfect sliding surface which ensures optimum performance in long-stroke applications.



SELF-SUPPORTING



Increased self-supporting capacity.

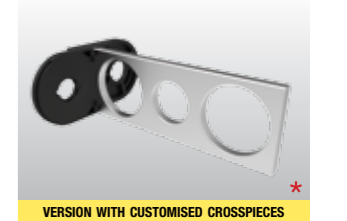
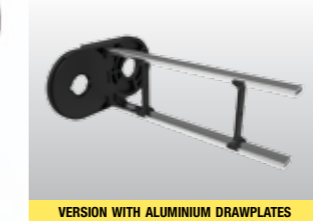
DYNAMIC CABLE PROTECTION

The "H" series is available in different combinations: open with nylon frames, fully enclosed with nylon covers, fully enclosed with aluminium covers particularly suitable for heavy-duty machine tool applications. The chains of the "H" series are customisable to meet the most complex requirements.

Standard Combinations:



Special Combinations:



QR-Code frames with your camera and watch the video



SLIDING