



POWERMITE

FESTOONING SYSTEMS FOR MOBILE MACHINERY

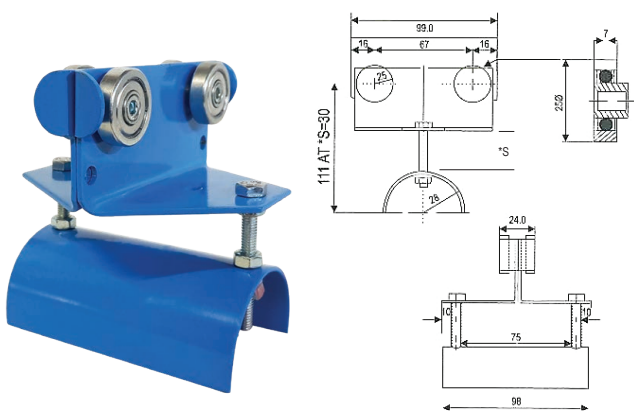
C-Track Cable Festoon System

Suitable for round and flat cables, hoses, fibre optics, curtains and other applications

Connecting Africa

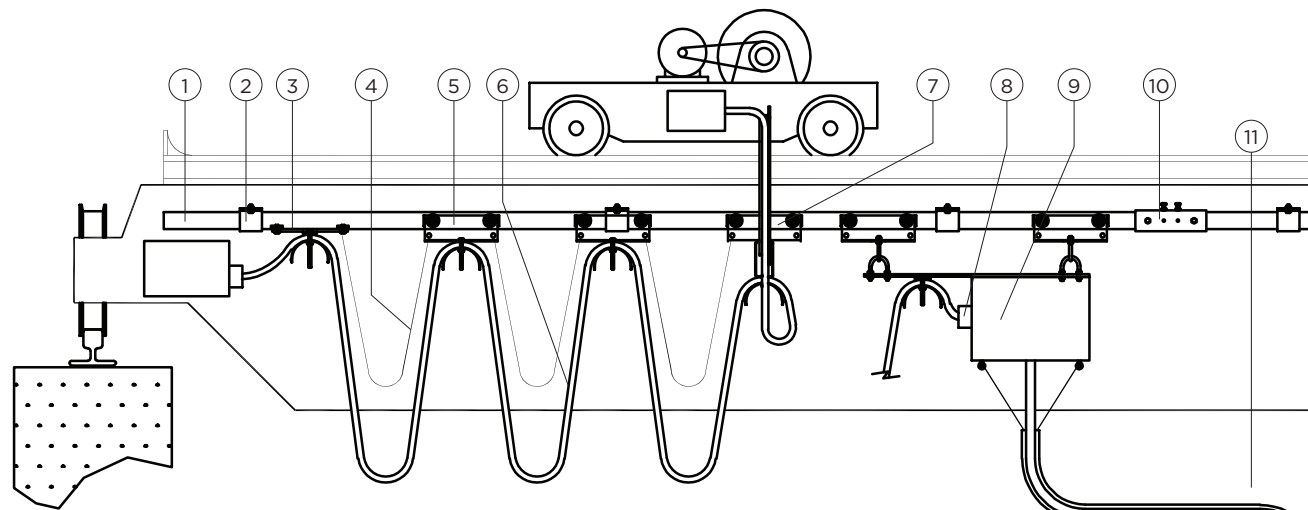
a member of the **Hudaco** group

5 FLAT CABLE CARRIER NO.90

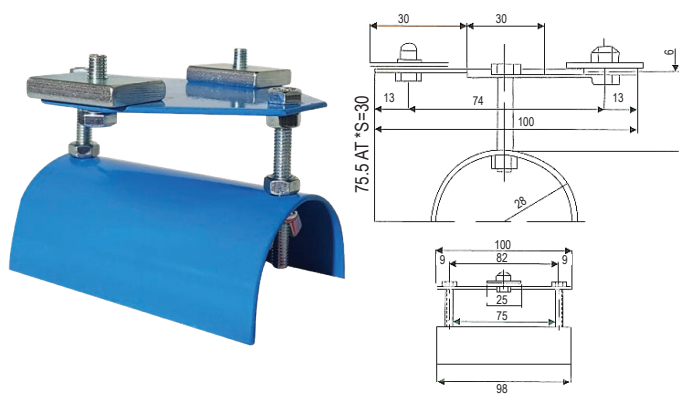


PART NO.	DESCRIPTION
P6565	Flat cable carrier, powder coated
P6685	Flat cable carrier, stainless steel 304

*All S/Steel bearings are neoprene sealed



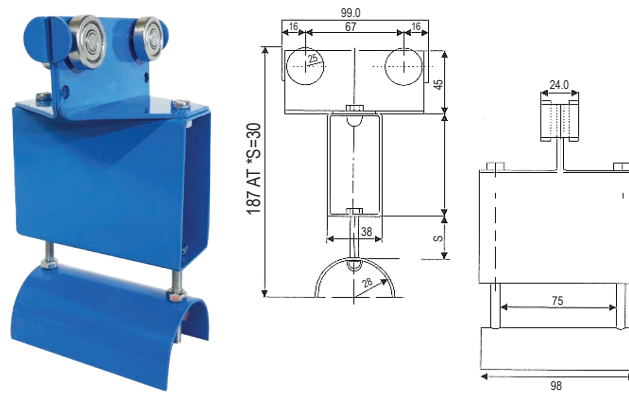
3 END CLAMP NO.92



PART NO.	DESCRIPTION
P6567	End clamp, powder coated
P6687	End clamp, stainless steel 304

*All S/Steel bearings are neoprene sealed

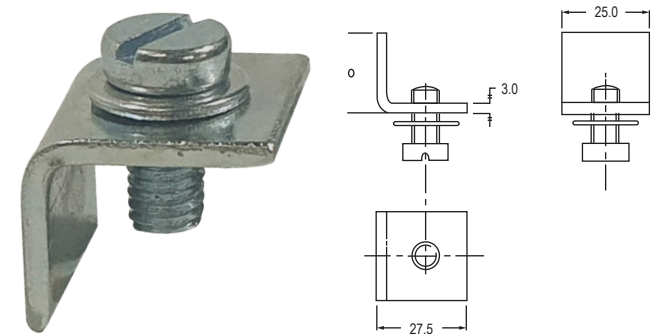
7 MASTER CARRIER NO.91



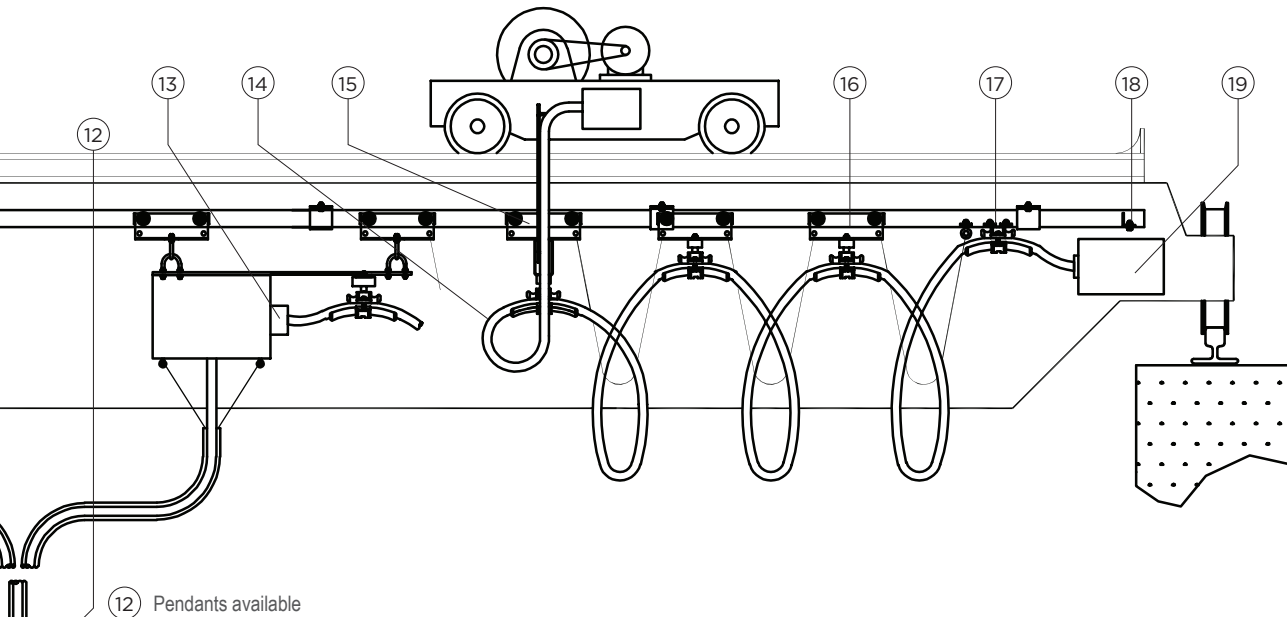
PART NO.	DESCRIPTION
P6566	Master carrier, powder coated
P6686	Master carrier, stainless steel 304

*All S/Steel bearings are neoprene sealed

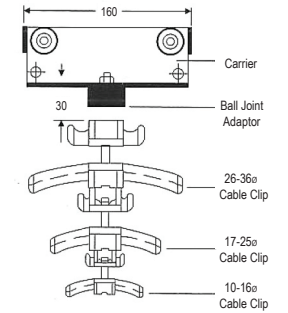
18 END STOP NO.73



PART NO.	DESCRIPTION
P6564	End stop, galvanised
P6690	End stop, stainless steel 304



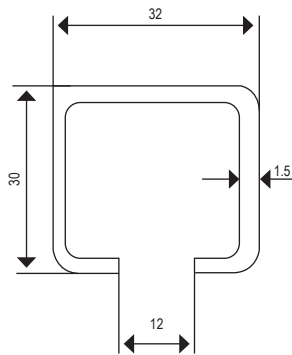
16 ROUND CABLE CARRIER



PART NO.	DESCRIPTION
P6881	Ball joint adaptor
P6757	26-36Ø Cable clip
P6756	17-25Ø Cable clip
P6755	10-16Ø Cable clip

Use the ball joint to suit hose & round cable applications.

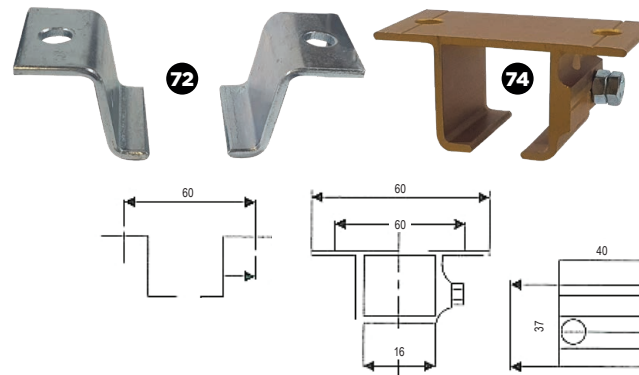
1 C-TRACK NO.70



PART NO.	DESCRIPTION
P6561	C-Track, galvanised
P6560	C-Track, stainless steel 304

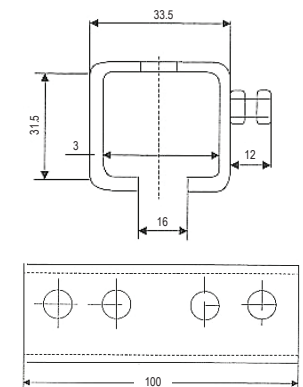
*5m lengths only.

2 SUSPENSION BRACKETS



PART NO.	DESCRIPTION	PART NO.	DESCRIPTION
P6563	Split, galvanised	P6604	Solid, anodised
P6689	Split, stainless steel 304		

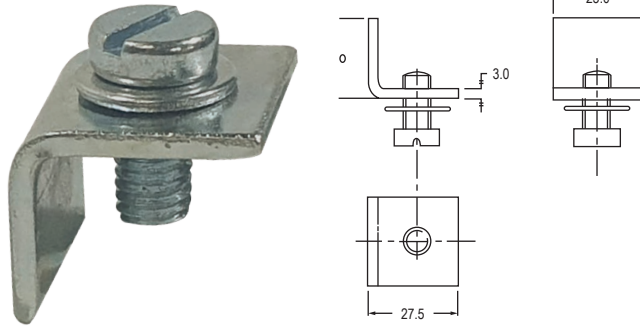
10 TRACK JOINT NO.71



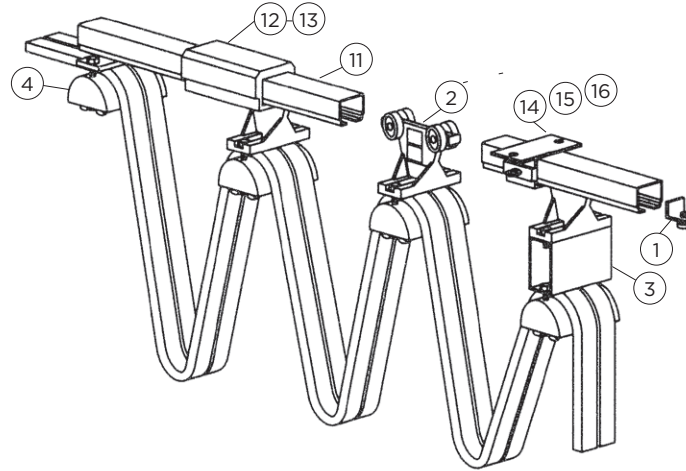
PART NO.	DESCRIPTION
P6562	Rail joint, galvanised
P6688	Rail joint, stainless steel 304

C-TRACK LIGHT DUTY PLASTIC FESTOON SYSTEM - PARTS NO. 70/40

1 END STOP NO.73

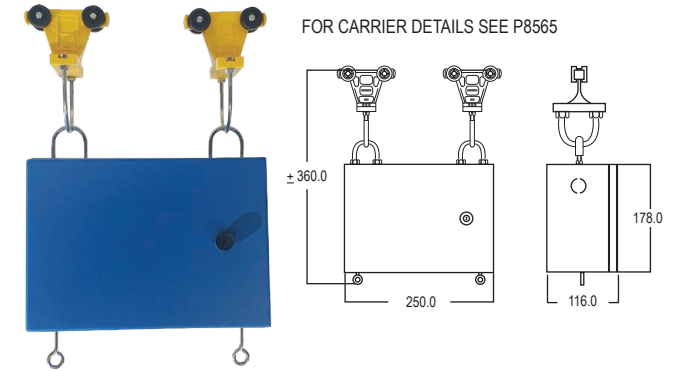


PART NO.	DESCRIPTION
P6564	End stop, galvanised
P6690	End stop, stainless steel 304



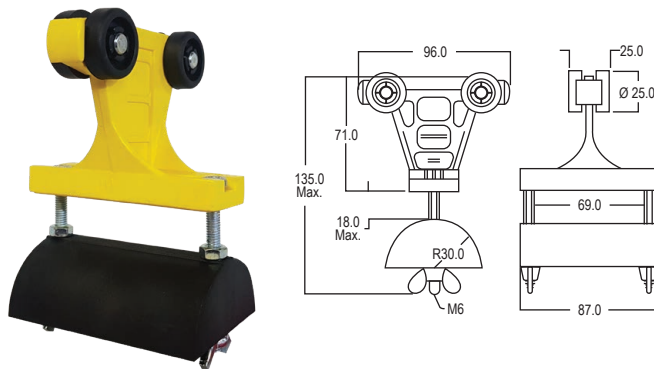
Required Flatcable length = Track length + 10% + 2 Tails @ V = 30m/min
Required Roundcable length = Track length + 15% + 2 Tails @ V = 30m/min

5 MOBILE BOX NO.151/40



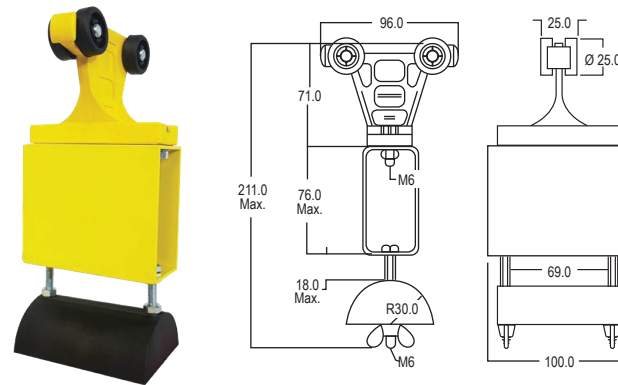
PART NO.	DESCRIPTION
P8573	Mobile box, C/W 2 PVC carrier

2 CABLE CARRIER NO.40



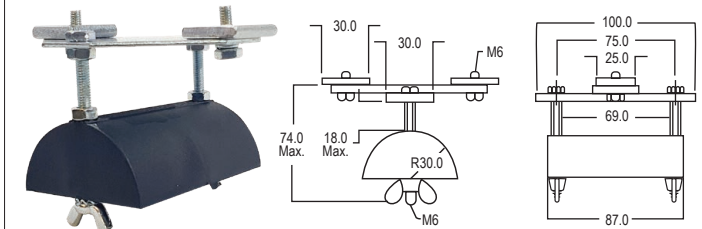
PART NO.	DESCRIPTION
P8565	PVC FL-Cable Carrier

3 MASTER CARRIER NO.41



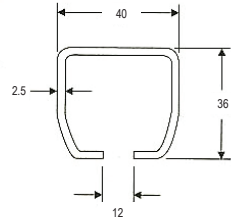
PART NO.	DESCRIPTION
P8566	PVC Flat Master Carrier

4 END CLAMP NO.42

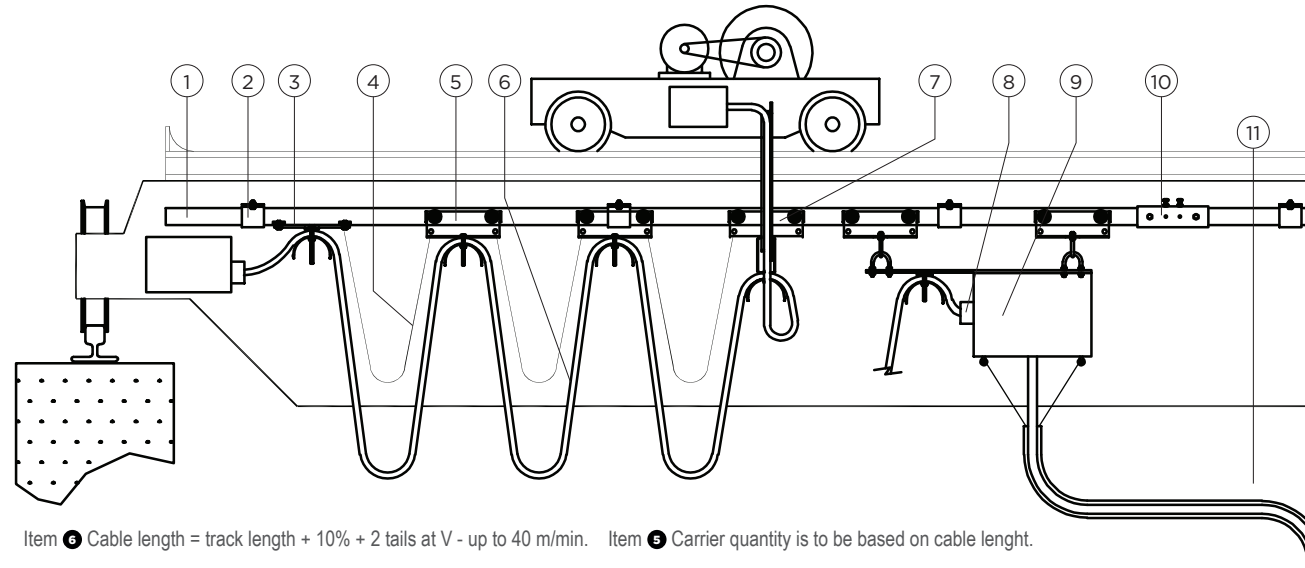


PART NO.	DESCRIPTION
P8567	PVC Flat end clamp No. 42 Black, No. 42 Yellow

1 C-PROFILE TRACK NO.240

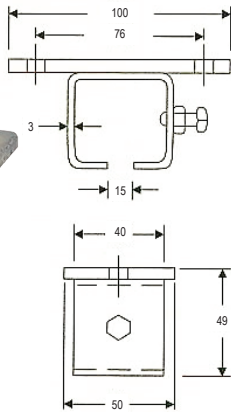
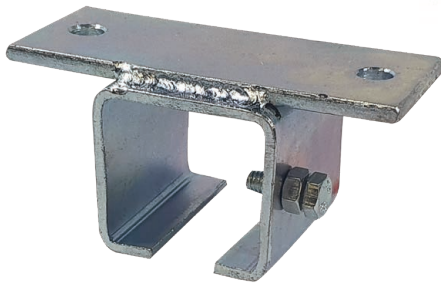


PART NO.	DESCRIPTION
P8050	C-track, galvanised, 5m lengths only
P10070	C-track stainless steel 304, 5m lengths only



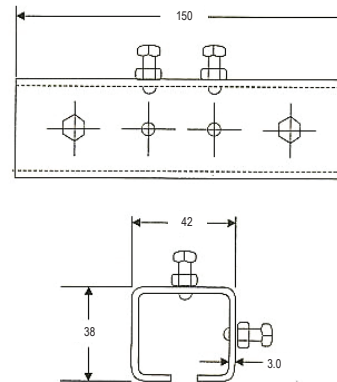
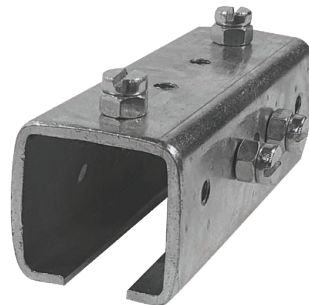
Item 6 Cable length = track length + 10% + 2 tails at V - up to 40 m/min. Item 5 Carrier quantity is to be based on cable length.

2 SUSPENSION CLAMP NO.242



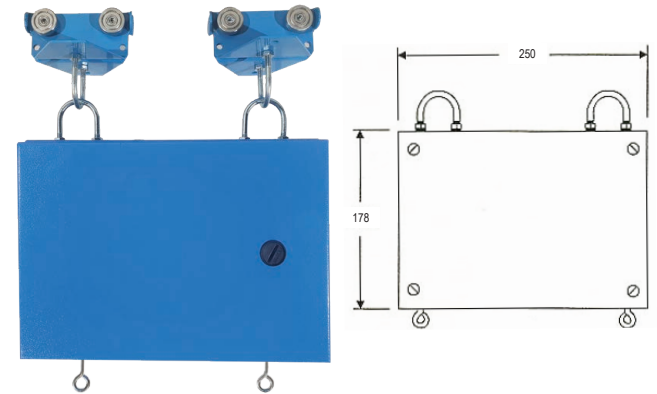
PART NO.	DESCRIPTION
P8052	Supsension clamp, galvanised
P10075	Suspension clamp, stainless steel 304

10 RAIL JOINT NO.241



PART NO.	DESCRIPTION
P8051	Rail joint, galvanised
P10074	Rail joint, stainless steel 304

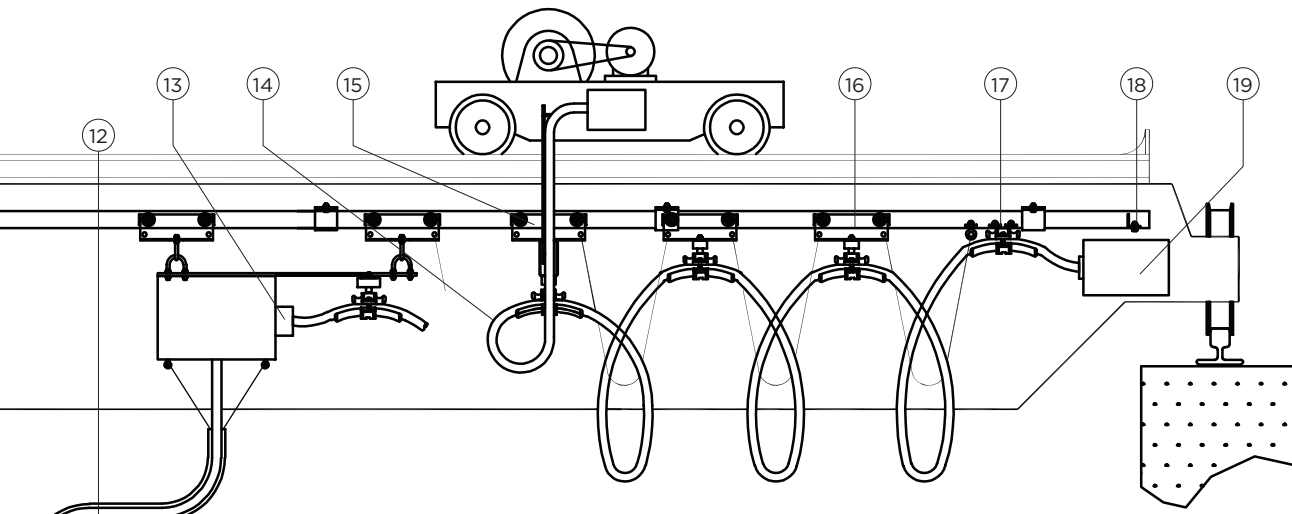
9 MOBILE BOX NO.151



PART NO.	DESCRIPTION
P8079	Mobile box, powder coated
P10078	Mobile box, stainless steel 304

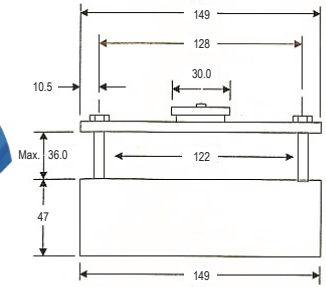
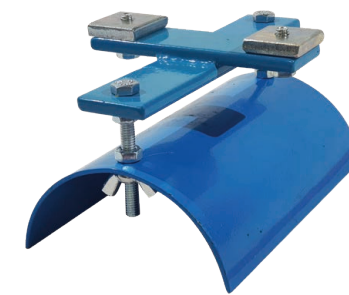
The Festooning arrangements, as depicted above, are showing all parts normally required to operate a Loopsystem to feed Cranes, Hoists, Conveyors or other mobile users **with all varieties of energy i.e. electricity - hydraulics - pneumatics - optics**

N.B. Cable Carrier No. 250 can carry 30kg of load - parking space equals 160mm x no. of carriers - approx. travel speed of system V = 100 m/min - Item 1 C-Track length 5m - Item 2 Suspension clamp spacing 2m. As this Festooning is used in a variety of applications and environments, which require special designs and particular material, POWERMITE has developed additional suitable parts within the No. 240/250 System which cannot all be shown in this publication. Please let us attend to your special enquiries to satisfy your demands!



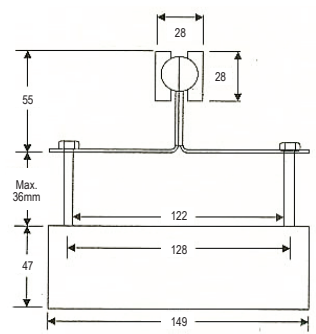
12 Pendants available Item 14 Cable length = track length + 15% + 2 tails at V - up to 40 m/min. Item 15 Carrier quantity is to be based on cable length.

3 END CLAMP NO.252



PART NO.	DESCRIPTION
P8055	End clamp, powder coated
P10073	End clamp, stainless steel 304

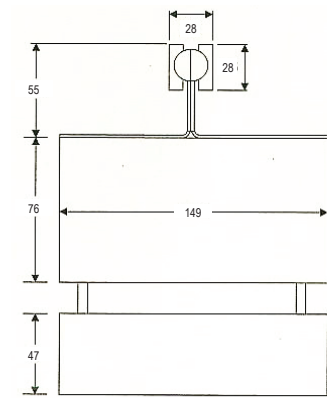
5 CABLE CARRIER NO.250



*All S/Steel bearings are neoprene sealed

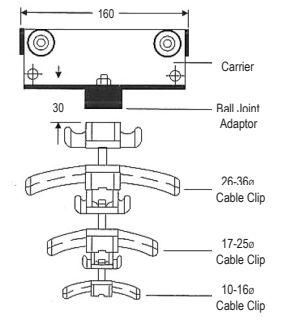
PART NO.	DESCRIPTION
P8053	Cable carrier, powder coated
P10071	Cable carrier, stainless steel 304

7 MASTER CARRIER NO.251



PART NO.	DESCRIPTION
P8054	Master carrier, powder coated
P10072	Master carrier, stainless steel 304

16 ROUND CABLE CARRIER



PART NO.	DESCRIPTION
P6881	Ball joint adaptor
P6757	26-36Ø Cable clip
P6756	17-25Ø Cable clip
P6755	10-16Ø Cable clip

Head Office ☎ +27 11 271 0000
✉ info@powermite.co.za

Witbank ☎ +27 13 692 3448/9
✉ powermite.witb@powermite.co.za

Cape Town ☎ +27 21 951 1505
✉ powermite.ct@powermite.co.za

Rustenburg ☎ +27 14 592 2209
✉ powermite.rburg@powermite.co.za

Richards Bay ☎ +27 35 751 1213/6
✉ powermite.rbay@powermite.co.za

Pinetown ☎ +27 31 700 6830/4
✉ powermite.dbn@powermite.co.za